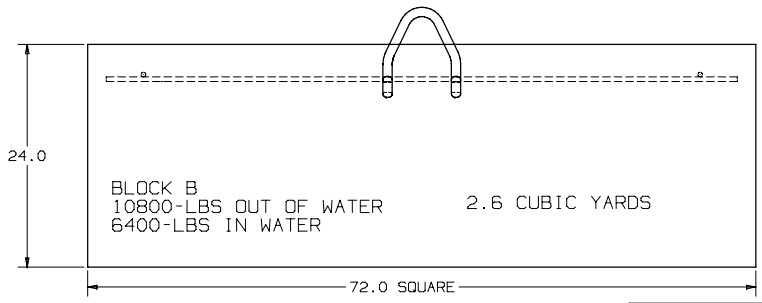
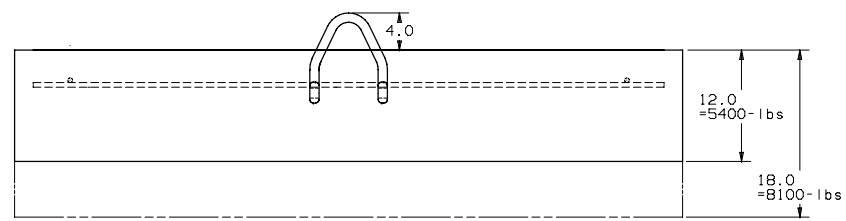
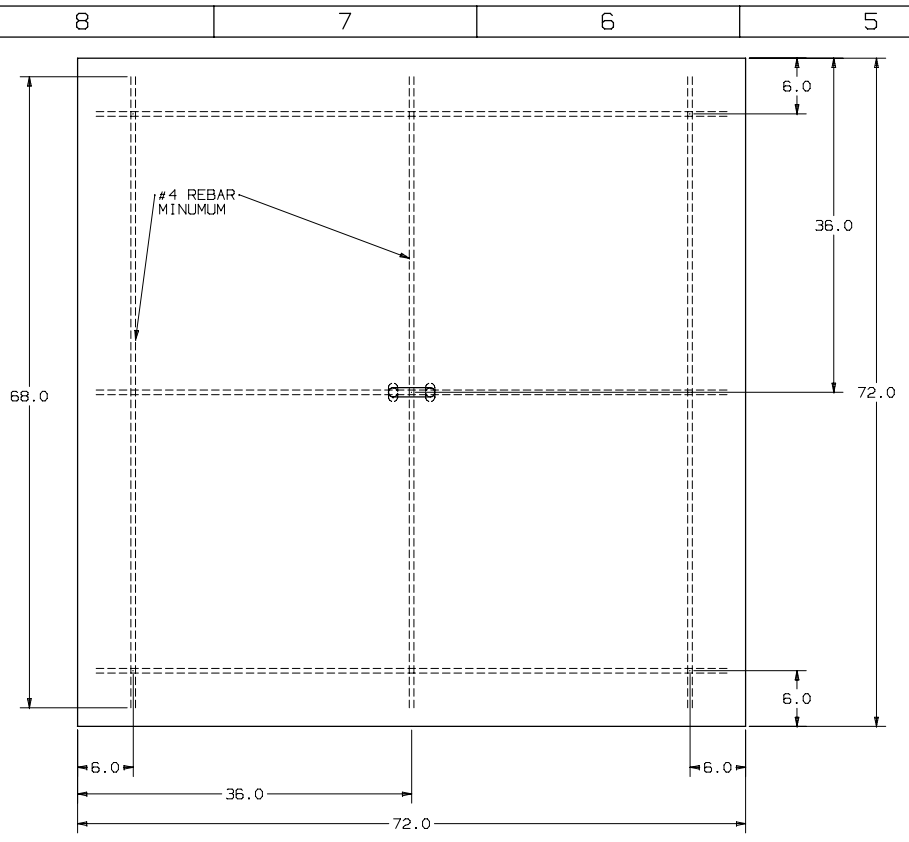
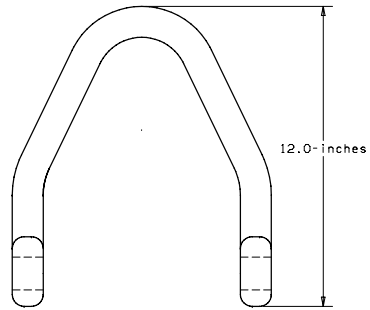


REVISIONS		
SYM	DESCRIPTION	CHG BY
01	XXXXX	JEFF L 18JAN06

STEEL CAN BE ADDED TO THE CONCRETE TO ADD MORE WEIGHT.
USE OLD MOORING CHAIN OR RR WHEELS.

HAZELETT MARINE ANCHOR BAIL FOR CONCRETE BLOCKS IS GALVANIZED 1.25-INCH DIAMETER STEEL.



BLOCK B
10800-LBS OUT OF WATER 2.6 CUBIC YARDS
6400-LBS IN WATER

CONCRETE SHOULD BE 3000-LB MINIMUM
USE LARGE STONES WHEN POSSIBLE.

CONCRETE FOR ANCHORS
SHOULD USE LARGE STONES
WHEN AVAILABLE

USE #4 REBAR AS MINIMUM SIZE
12-INCH OVERLAP OF SMALLER PIECES
ALLOWED

ALL DIMENSIONS ARE IN INCHES.
ALL CONCRETE DIMENSIONS ARE + OR - 1-INCH
THE CONCRETE FINISH SHOULD BE TROWELED SMOOTH
ONE TIME.
COVER THE CONCRETE FROM THE SUN UNTIL IT IS CURED.
TURN A SPRINKLER ON THE BLOCKS WHEN
THEY ARE HARD ENOUGH SO THE WATER
DOES NOT DISTURB THE SURFACE.
THE CONCRETE BLOCKS CAN BE GENTLY MOVED IN TWO DAYS.

HAZELETT MARINE			
PO BOX 800 135 WEST LAKESHORE DRIVE WALLETT'S BAY, COLCHESTER, VT 05446 hazelettmarine.com			
DR:	JEFF L 18 JAN 06	ANCHOR BLOCK DETAILS	
DR:	JEFF L	PART NO. XXXX 01	
ENG:	JEFF L	SHEET 3 OF 4	
SCALE:	DO NOT SCALE	D-SIZE	
CONT:	ELASTIC ANCHORING BLOCKS		
LOCATION:	SALT WATER OR FRESH WATER		
LOCATION:	SEAM OR LINE		